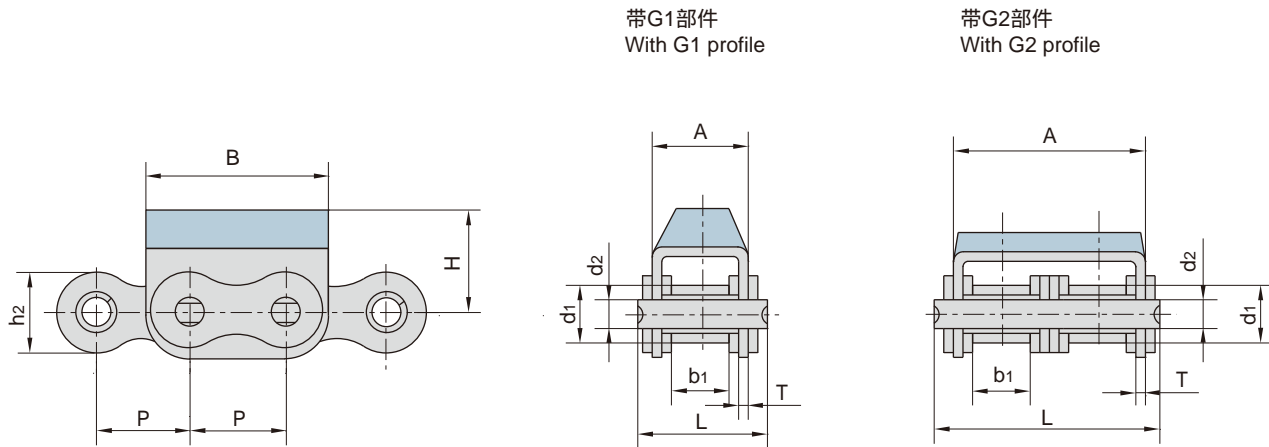


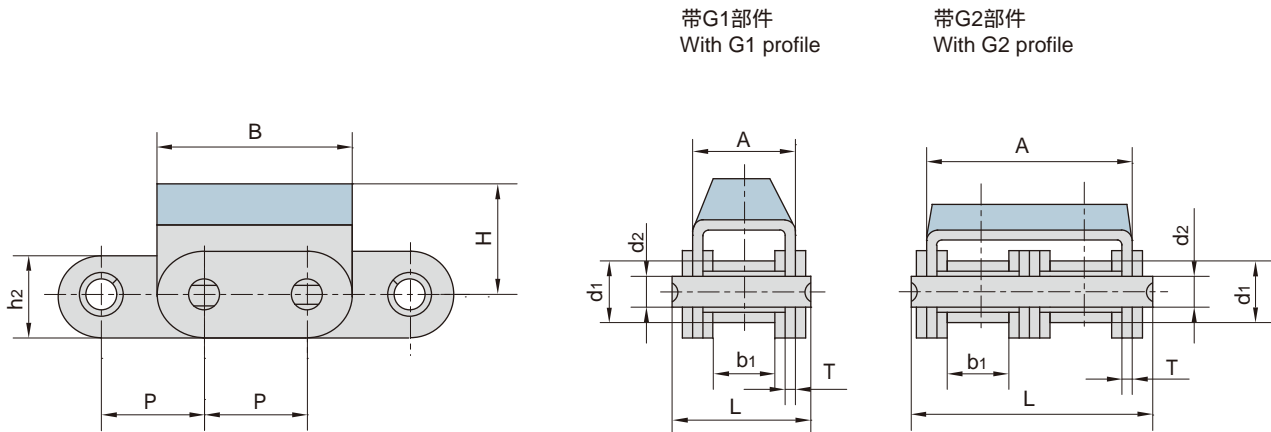
## 橡胶附板链

Roller chains with vulcanised elastomer profiles



东华链号 Donghua Chain No.	节距	滚子直径	内节内宽	销轴直径	销轴长度	链板、附板尺寸					抗拉强度	每米长重
	Pitch	Roller diameter	Width between inner plates	Pin diameter	Pin length	Plate and attachment dimension					Tensile strength	Weight per meter
	P	d1 max	b1 min	d2 max	L max	h2 max	A	B	H	T	Q min	q
mm	mm	mm	mm	mm	mm	mm	mm	mm	mm	mm	kN/lbf	kg/m
08B-G1	12.700	8.51	7.75	4.45	20.0	11.80	14.60	24.20	12.3	1.60	18.0/4091	1.19
08B-G2	12.700	8.51	7.75	4.45	34.3	11.80	28.40	24.20	12.3	1.50	32.0/7273	2.07
10A-G1	15.875	10.16	9.40	5.08	24.5	15.09	17.50	31.00	17.0	1.60	21.8/4953	1.70
10B-G1	15.875	10.16	9.65	5.08	23.2	14.70	16.80	30.00	17.0	1.60	19.0/4318	1.62
10B-G2	15.875	10.16	9.65	5.08	39.7	14.70	33.30	30.00	17.0	1.50	44.5/10004	2.56
10B-G2F5	15.875	10.16	9.65	5.08	39.7	14.70	33.30	30.00	25.3	1.50	44.5/10004	2.58
12B-G1	19.050	12.07	11.68	5.72	25.7	16.00	19.60	36.00	21.0	1.85	29.0/6591	2.01
12B-G2	19.050	12.07	11.68	5.72	45.3	16.00	39.10	36.00	16.0	1.85	57.8/13136	3.21
12A-G1	19.050	11.91	12.57	5.94	29.9	18.00	21.40	37.05	21.0	1.85	31.8/7153	2.55
12A-G2	19.050	11.91	12.57	5.94	52.9	18.00	44.50	37.05	21.0	1.85	62.3/14005	4.25
12AF1-G1	19.050	11.91	17.00	5.94	34.0	18.00	26.00	36.00	16.0	1.85	31.8/7153	2.62
16A-G1	25.400	15.88	15.75	7.92	37.2	24.00	27.50	46.00	20.0	2.42	42.0/9545	3.97
16A-G2	25.400	15.88	15.75	7.92	68.0	24.00	57.20	46.00	20.0	2.42	84/18896	7.27
16B-G1F12	25.400	15.88	17.02	8.28	39.7	21.00	29.05	49.00	21.4	1.60	58.0/13047	3.95
20A-G1	31.750	19.05	18.90	9.53	46.8	30.00	34.00	57.60	28.0	3.10	86.7/19503	6.15
20B-G1	31.750	19.05	19.56	10.19	48.0	26.40	36.00	57.00	27.0	3.50	85.0/19318	6.19
24B-G1	38.100	25.40	25.40	14.63	61.6	33.20	47.00	72.60	34.0	4.50	160.0/36363	11.25

## 橡胶附板链 Roller chains with vulcanised elastomer profiles

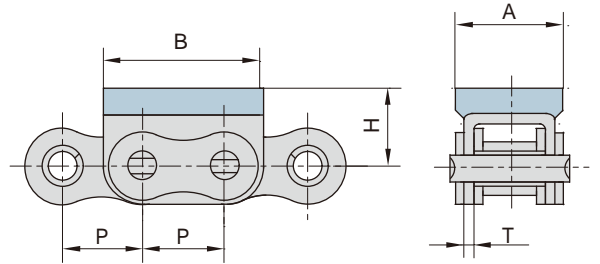


东华链号 Donghua Chain No.	节距 Pitch	滚子直径 Roller diameter	内节内宽 Width between inner plates	销轴直径 Pin diameter	销轴长度 Pin length	链板、附板尺寸 Plate and attachment dimension					抗拉强度 Tensile strength	每米长重 Weight per meter
	P	d1 max	b1 min	d2 max	L max	h2 max	A	B	H	T	Q min	q
	mm	mm	mm	mm	mm	mm	mm	mm	mm	mm	kN/lbf	kg/m
C08B-G1	12.700	8.51	7.75	4.45	20.0	11.80	14.60	24.20	12.3	1.60	18.0/4091	1.30
C08B-G2	12.700	8.51	7.75	4.45	34.3	11.80	28.40	24.20	12.3	1.50	32.0/7273	2.29
C10B-G1	15.875	10.16	9.65	5.08	23.2	14.70	16.80	30.00	17.0	1.60	19.0/4318	1.75
C10B-G1F1	15.875	10.16	9.65	5.08	23.2	14.70	16.80	30.00	13.0	1.60	19.0/4318	1.70
C50-G2F1	15.875	10.16	9.40	5.08	42.5	15.09	35.60	27.00	17.0	1.60	43.6/9906	2.14
C50-G2	15.875	10.16	9.40	5.08	42.5	15.09	35.60	31.00	17.0	1.60	43.6/9906	2.14
C10B-G2	15.875	10.16	9.65	5.08	39.7	14.70	33.30	30.00	17.0	1.50	44.5/10114	2.95
C12B-G1	19.050	12.07	11.68	5.72	25.7	16.00	19.60	36.00	21.0	1.85	29.0/6591	2.15
C12B-G2	19.050	12.07	11.68	5.72	45.3	16.00	39.10	36.00	16.0	1.85	57.8/13136	3.48
C16A-G1	25.400	15.88	15.75	7.92	37.2	24.00	27.50	46.00	20.0	2.42	42.0/9545	4.34
C16A-G2	25.400	15.88	15.75	7.92	68.0	24.00	57.20	46.00	20.0	2.42	84.0/18883	8.20
C20A-G1	31.750	19.05	18.90	9.53	46.8	30.00	34.00	61.75	28.0	3.10	86.7/19490	9.10
C20B-G1	31.750	19.05	19.56	10.19	48.0	26.40	36.00	57.00	27.0	3.50	85.0/19318	6.65
C20B-G2	31.750	19.05	29.56	10.19	85.0	26.40	73.00	58.15	27.0	3.50	170.0/38217	10.40
C24B-G1	38.100	25.40	25.40	14.63	61.6	33.20	47.00	72.60	34.0	4.50	160.0/36363	11.63

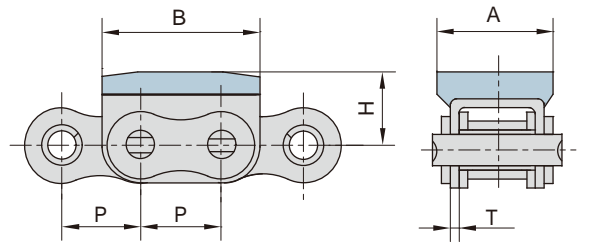
# 橡胶附板链

## Roller chains with vulcanised elastomer profiles

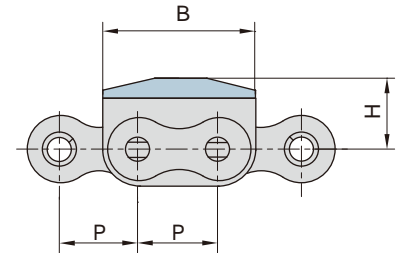
东华链号 Donghua Chain No.	P	A	B	H	T
	mm	mm	mm	mm	mm
08B-G1F1	12.700	18.0	24.2	12.3	1.6
10B-G1F2	15.875	25.0	30.0	14.0	1.6
10B-G1F3	15.875	20.0	30.0	18.0	1.6
10B-G1F4	15.875	18.6	30.0	11.4	1.6



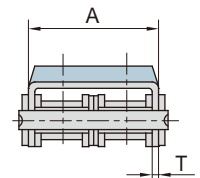
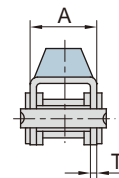
东华链号 Donghua Chain No.	P	A	B	H	T
	mm	mm	mm	mm	mm
08B-G1F4	12.7	18.0	24.2	12.3	1.6



东华链号 Donghua Chain No.	P	A	B	H	T	L <sub>3</sub>
	mm	mm	mm	mm	mm	mm
08B-G2F1	12.70	28.40	24.2	12.0	1.50	-
08B-G1F14-DD3	12.70	14.60	24.2	16.0	1.60	6.3
08B-G2F15	12.70	28.40	24.2	12.8	1.50	-
08B-G2F22	12.70	28.40	24.2	12.0	1.50	-
16A-G2F3	25.40	27.50	49.0	21.4	2.42	-
16B-G1	25.40	29.05	49.0	21.4	1.60	-
16B-G1F11-DD3	25.40	29.05	49.0	21.4	1.60	4.8
C16B-G1	25.40	29.05	49.0	21.4	1.60	-
C16B-G2	25.40	60.93	49.0	21.4	1.60	-
20B-G1F2	31.75	36.00	57.0	35.0	3.50	-
24B-G1F1	38.10	47.00	72.6	34.0	4.50	-
24B-G1F7	38.10	47.00	72.6	34.0	4.50	-

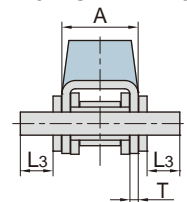
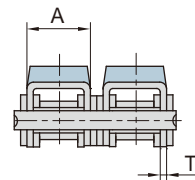


C16B-G1 20B-G1F2 C16B-G2  
16B-G1 24B-G1F1 08B-G2F1  
24B-G1F7 08B-G2F15  
08B-G2F22



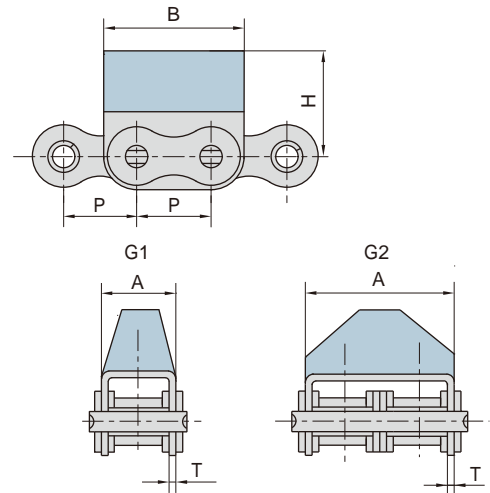
16A-G2F3

08B-G1F14-DD3  
16B-G1F11-DD3

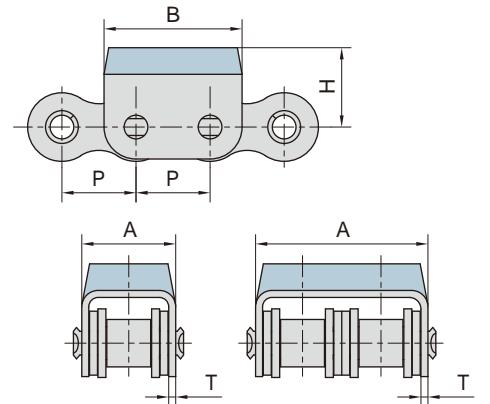


## 橡胶附板链 Roller chains with vulcanised elastomer profiles

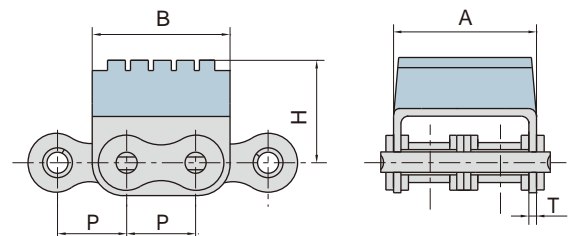
东华链号 Donghua Chain No.	P	A	B	H	T
	mm	mm	mm	mm	mm
08B-G1F17	12.700	14.60	24.2	20.2	1.60
10B-G1F5	15.875	16.80	30.0	25.3	1.70
10A-G1F6	15.875	16.80	30.0	14.0	1.60
12B-G1F11	19.050	19.60	36.0	17.0	1.85
12A-G1F12	19.050	39.10	36.0	21.0	1.85
12B-G2F10	19.050	39.10	36.0	28.0	1.85
12A-G2F12	19.050	39.10	36.0	21.0	1.85
12B-G2F5	19.050	39.10	36.0	28.0	1.85
16A-G1F1	25.400	27.50	46.0	21.4	2.42
16B-G1F18	25.400	29.05	49.0	32.0	1.60
20B-G1F1	31.750	36.00	57.0	35.0	3.50



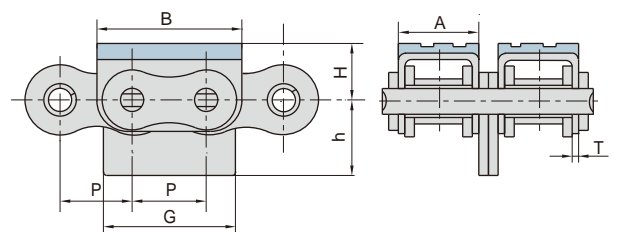
东华链号 Donghua Chain No.	P	A	B	H	T
	mm	mm	mm	mm	mm
10B-G2F1	15.875	33.3	30.0	17.0	1.5
24A-G1F1	38.100	55.5	70.0	46.5	4.8



东华链号 Donghua Chain No.	P	A	B	H	T
	mm	mm	mm	mm	mm
12B-G2F6	19.05	39.1	37.3	28.2	1.85



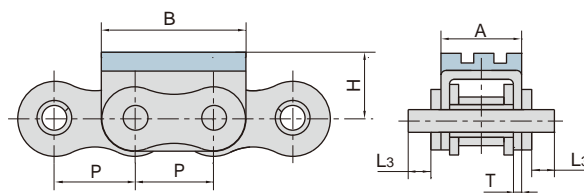
东华链号 Donghua Chain No.	P	A	B	G	h	H	T
	mm	mm	mm	mm	mm	mm	mm
16A-G2F1	25.4	27.0	49.2	45.4	25.0	20.0	2.03



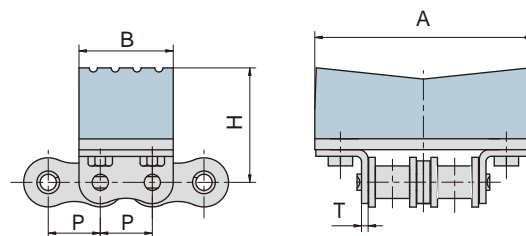
## 橡胶附板链

Roller chains with vulcanised elastomer profiles

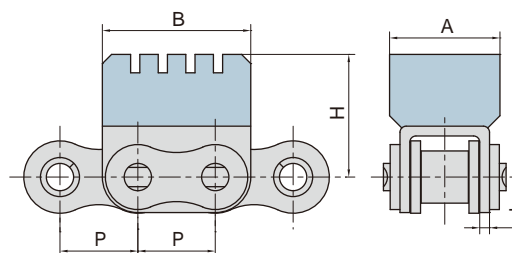
东华链号 Donghua Chain No.	P	A	B	H	H <sub>1</sub>	T
	mm	mm	mm	mm	mm	mm
16A-G1F3	25.4	27.5	49.0	8.25	21.4	2.42



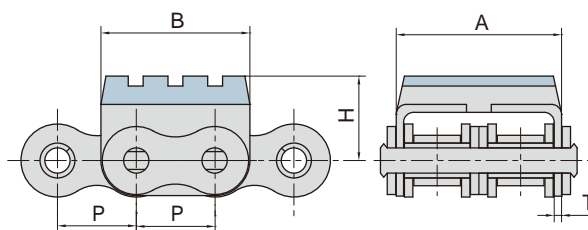
东华链号 Donghua Chain No.	P	A	B	H	T
	mm	mm	mm	mm	mm
12AWK2-G2F1	19.05	80.0	35.0	41.9	2.42



东华链号 Donghua Chain No.	P	A	B	H	T
	mm	mm	mm	mm	mm
08B-G1F15	12.70	18.00	24.20	20.00	1.60



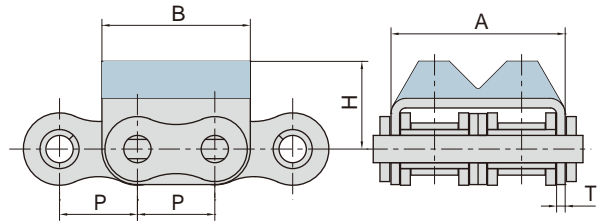
东华链号 Donghua Chain No.	P	A	B	H	T
	mm	mm	mm	mm	mm
10B-G2F6	15.875	33.30	30.00	17.00	1.50



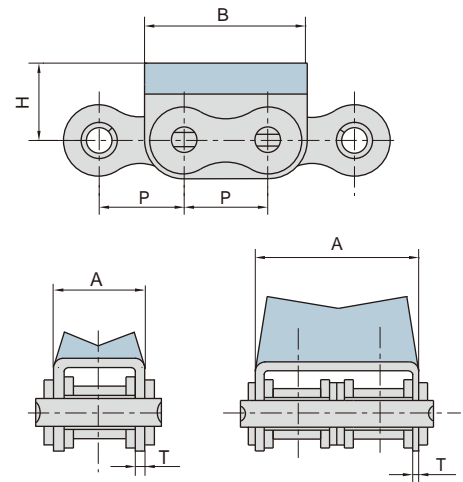
## 橡胶附板链

Roller chains with vulcanised elastomer profiles

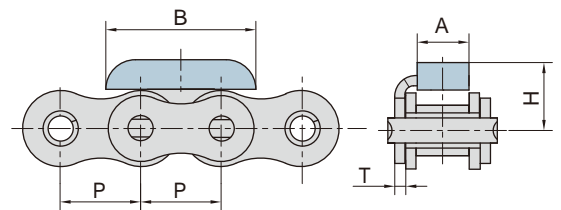
东华链号 Donghua Chain No.	P	A	B	H	T
	mm	mm	mm	mm	mm
08B-G2F18	12.70	28.40	24.20	14.30	1.50



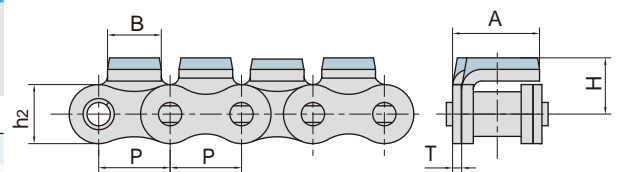
东华链号 Donghua Chain No.	P	A	B	H	T
	mm	mm	mm	mm	mm
08B-G2F11	12.70	28.4	24.2	18.3	1.50
12B-G1F1	19.05	19.6	36.0	18.0	1.85
12B-G2F4	19.05	39.1	36.0	27.5	1.85
12B-G1F13	19.05	19.6	36.0	21.0	1.85
12B-G2F13	19.05	39.1	36.0	27.5	1.85



东华链号 Donghua Chain No.	P	A	B	H	T
	mm	mm	mm	mm	mm
12A-G1F1	19.05	13.0	35.5	16.6	2.42



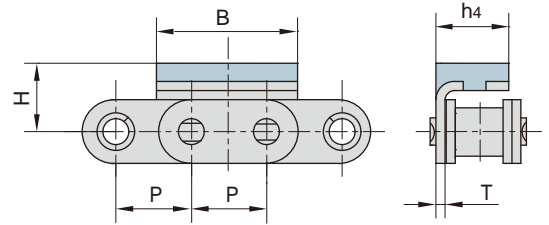
东华链号 Donghua Chain No.	P	A	B	H	h <sub>2</sub>	T
	mm	mm	mm	mm	mm	mm
16B-G1F7	25.40	31.00	19.10	20.00	21.00	3.10
08B-G1F16	12.70	12.85	23.30	11.40	11.80	1.30



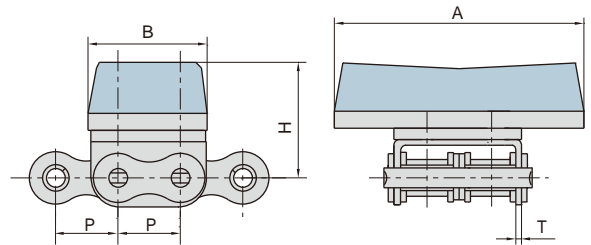
## 橡胶附板链

Roller chains with vulcanised elastomer profiles

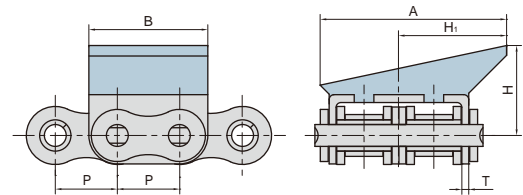
东华链号 Donghua Chain No.	P	B	H	h <sub>4</sub>	T
	mm	mm	mm	mm	mm
06BF9	9.525	17.73	9.0	9.05	1.3



东华链号 Donghua Chain No.	P	A	B	H	T
	mm	mm	mm	mm	mm
12B-G2F3	19.05	77.0	37.0	36.0	1.85
12B-G2F8	19.05	101.0	37.0	36.0	1.85



东华链号 Donghua Chain No.	P	A	B	H	H <sub>1</sub>	T
	mm	mm	mm	mm	mm	mm
08B-G2F14	12.7	37.9	24.2	18.3	22.0	1.5



东华链号 Donghua Chain No.	P	A	B	H	H <sub>1</sub>	T
	mm	mm	mm	mm	mm	mm
08B-G2F16	12.70	44.00	24.20	26.30	8.00	1.50
08B-G2F17	12.70	39.00	24.20	21.30	8.00	1.50

